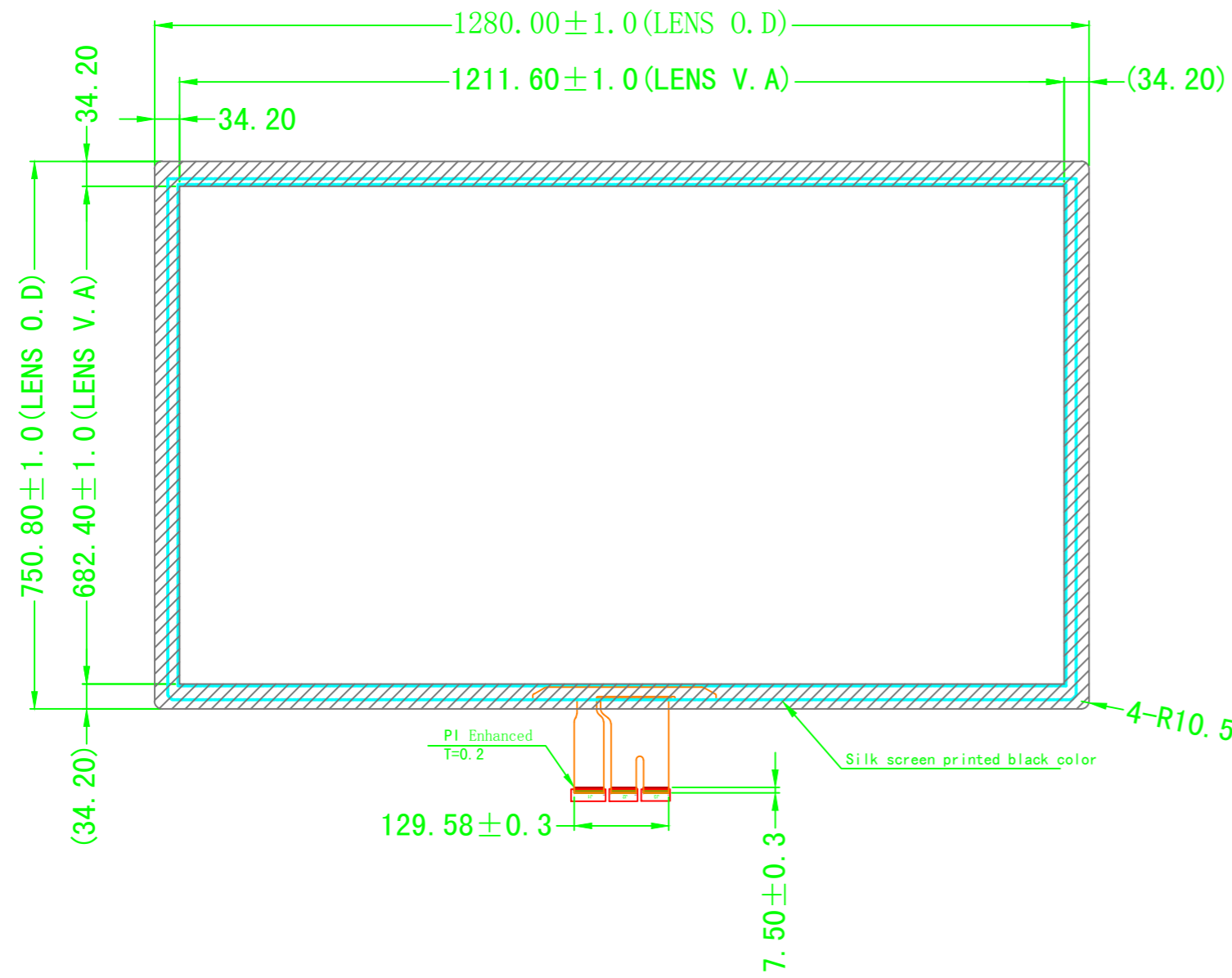
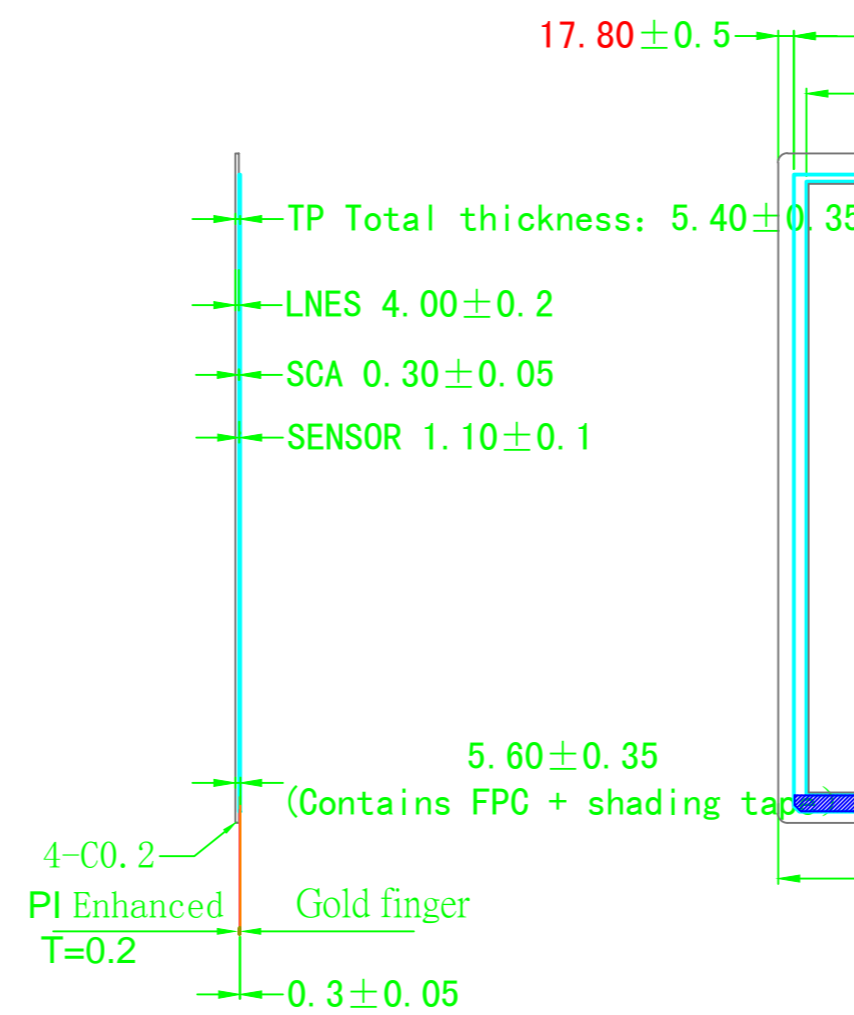


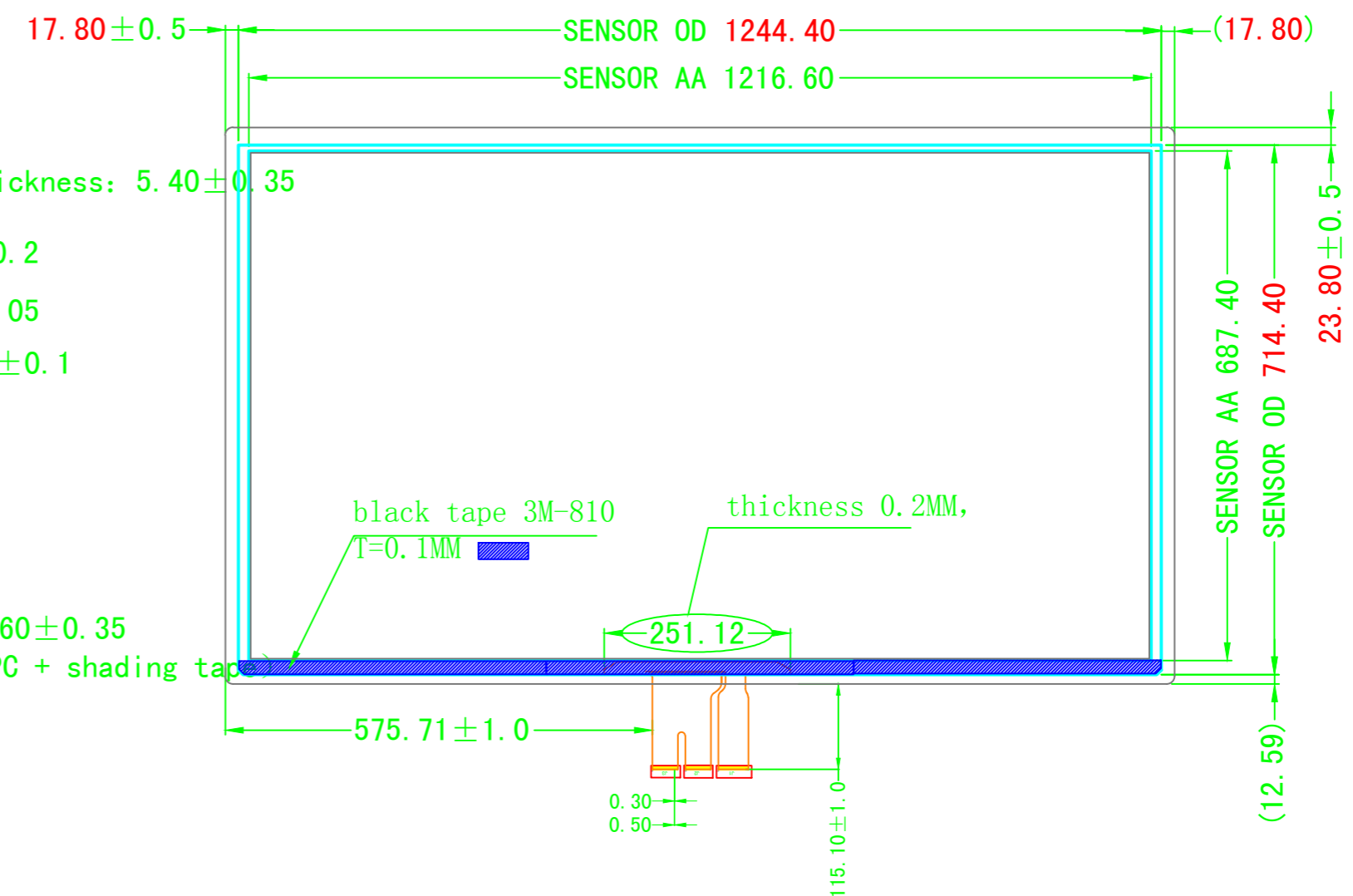
Front view



Side view

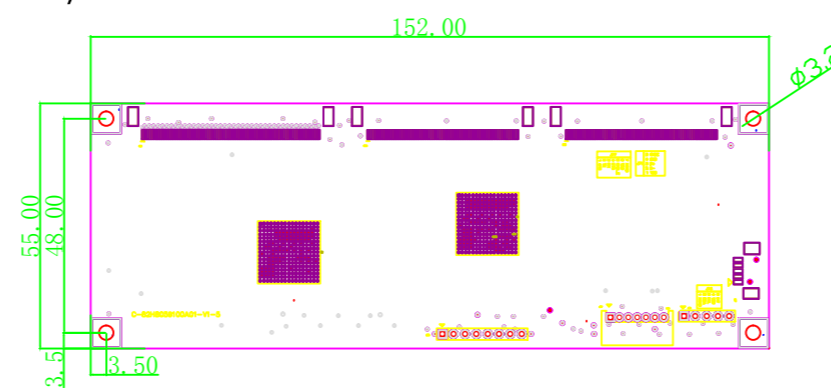


Back view



Technical Spec:

- 1.COVER LENS : Physical strength tempered glass;
- 2.Interface : FPC USB ;
- 3.IC:EXC82H80+EXC59100;
- 4.Surface hardness ≥ 7H;
- 5.Transmittance ≥ 85%P ;
- 6.Common tolerance ± 1.0mm;
- 7.Follow RoHS standard.



5	GND
4	GND
3	D+
2	D-
1	VDD

TP DRAWING		TECHNICA HOUSE INC.			
Sheet	1 of 1	Model NO.		TEC550035D	
UNIT	mm	CUSTOMER P/N		55"	
Rev.	A0	Designed	Brian	Date	2017-12-25
Scale	FIT	Checked	JP Lin	Date	2017-12-25
		Approved		Date	