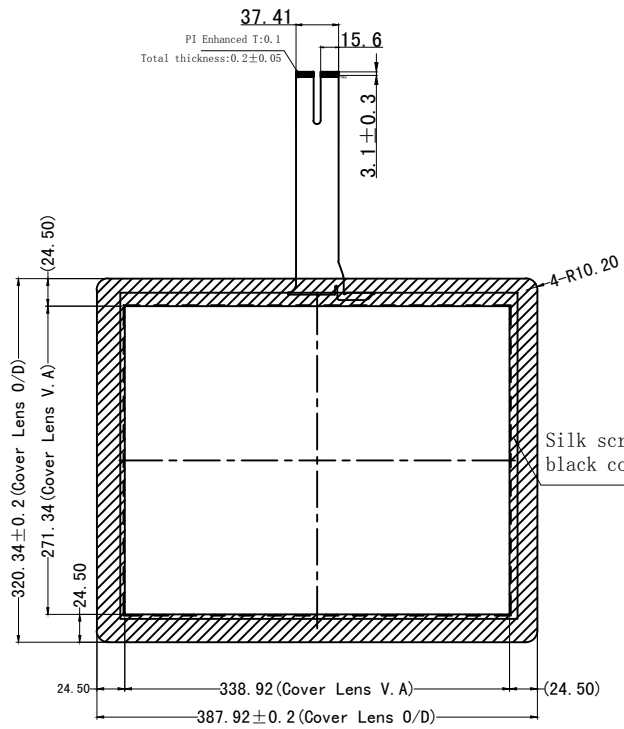
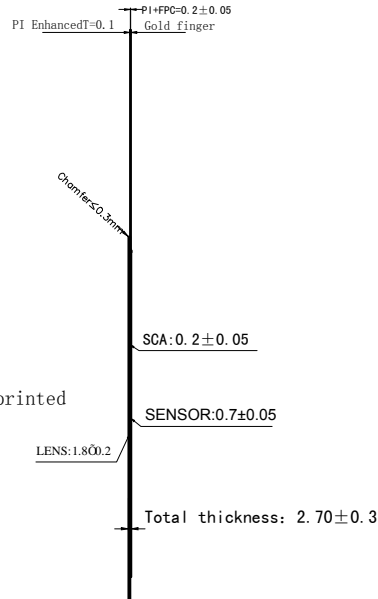


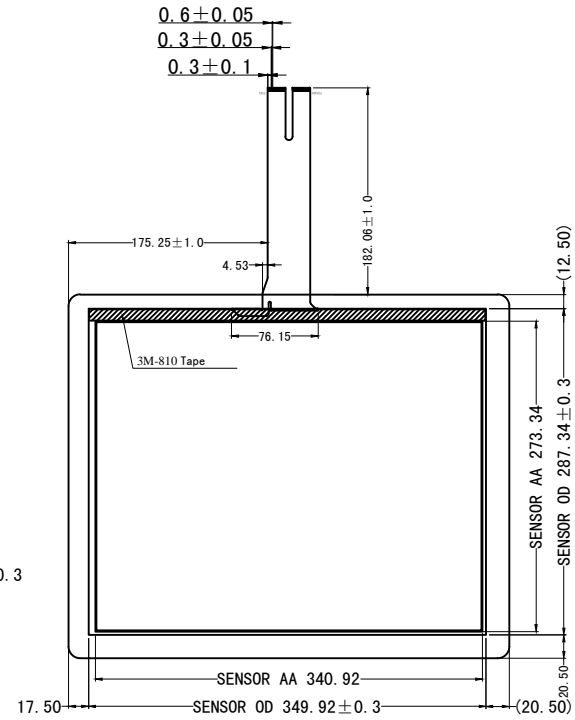
Front view



Side view

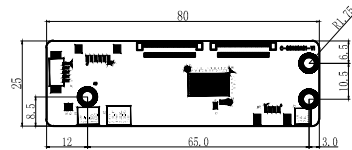


Back view



Technical Spec. :

1. COVER LENS : Physical strength tempered glass
2. Interface : FPC USB
3. IC : EXC80H60, 10 points touch.
4. Surface hardness  $\geq 7H$
5. Common tolerance  $\pm 0.3mm$
6. Follow RoHS standard
7. Operating Temperature:  $-20^{\circ}C \sim +70^{\circ}C \leq 85\%RH$
8. Storage Temperature:  $-30^{\circ}C \sim +80^{\circ}C \leq 85\%RH$



USB Connector

PIN	Define
1	VDD/SV
2	D-
3	D+
4	GNDIN
5	GND

DRAWING		Technica House Inc			
Sheet	1 of 1	Model NO.		TEC170062A	
UNIT	mm	CUSTOMER P/N		17''	
Rev.	A1	Designed	Brian	Date	2020-03-13
Scale	FIT	Checked	JP Lin	Date	2020-03-13
		Approved		Date	