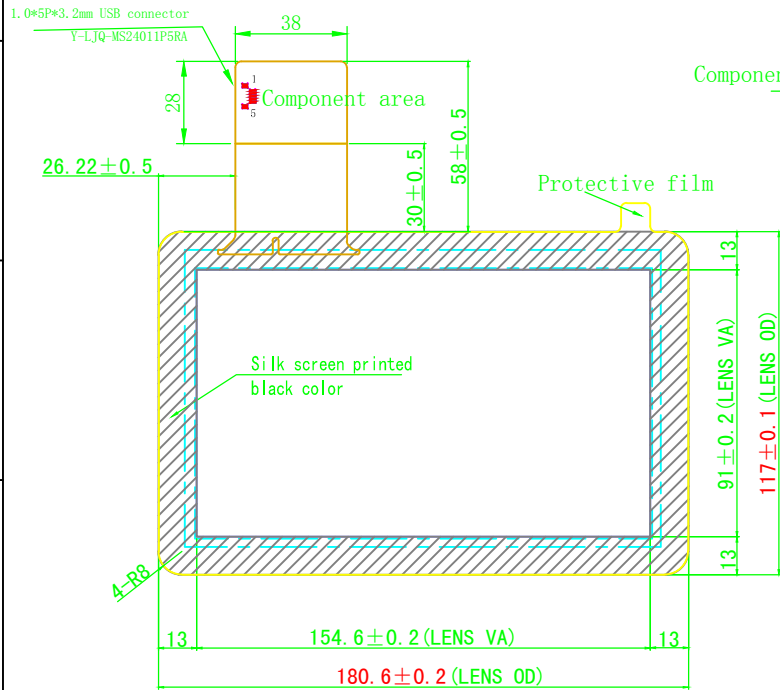


Front view

Side view

Back view



Total thickness of component area:
MAX4.2mm

Component area

steel plate enhancement
T=0.3mm

2.35±0.2 (Total)

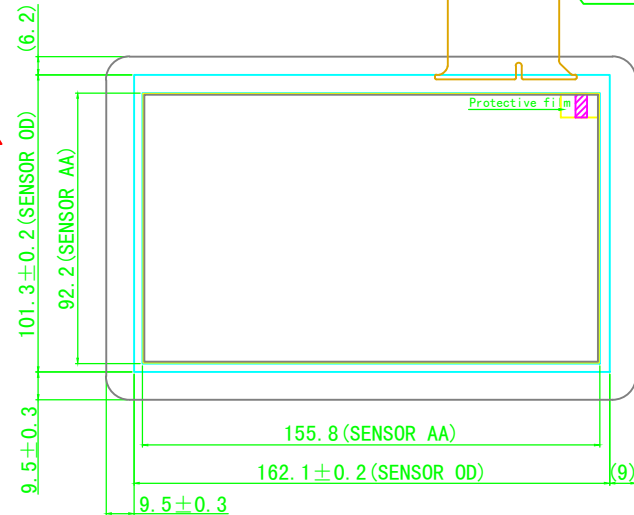
SENSOR 1.1±0.1 Δ

SCA 0.15±0.05

LENS 1.1±0.05

steel plate enhancement
T=0.3mm

IMM Conductive cloth



Technical Spec.:

- 1.COVER LENS : Chemical strength glass
- 2.Interface : FPC USB&IIC
- 3.IC : ILI2511, 10 points touch.
- 4.Surface hardness $\geq 7H$
- 5.Transmittance $\geq 86\%P$
- 6.Common tolerance $\pm 0.2mm$
- 7.Follow RoHS standard

USB Connector	
PIN	Define
1	GND
2	VDD
3	GND
4	D+
5	D-

DRAWING		Technica House Incorporation			
Sheet	1 of 1	Model NO.		TEC070838A	
UNIT	mm	CUSTOMER P/N		7"	
Rev.	A1	Designed	Brian	Date	2018-06-28
Scale	FIT	Checked	JP Lin	Date	2018-06-28
		Approved		Date	