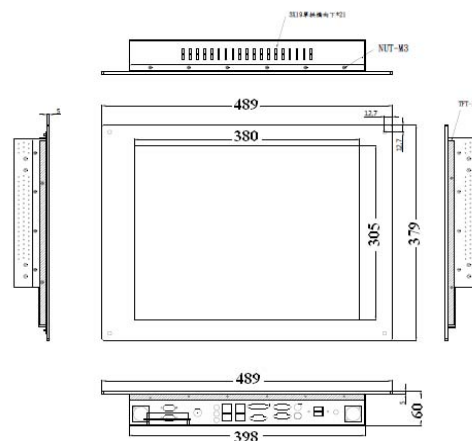




Specification

System	Processor Chipset System Memory Storage Device Graphic Engine GPIO Watchdog	Intel Celeron Bay Trail J1900 Quad core 10W processor CPU Integrated 1 x DDR3L 1333 MHz SO-DIMM, up to 8GB 1 x 2.5" SATA HDD or SSD or mSATA module Intel HD Graphics 8x programmable GPIO (Optional) With Watchdog Timer
LCD Touch Panel	LCD Size Brightness Resolution Touch Screen	19" 250 nits or 1000 nits (Optional) 1280 x 1024 Resistive Touch or PCAP Touch (Optional)
Expansion	Mini PCI-E Slot	1
External I/O Ports	USB Serial Port LAN Display	2x USB3.0, 4x USB2.0 4x RS-232 2x LAN 1x VGA, 1x DVI
Audio	Internal Speaker	Speaker Header x1
Power	Power Supply Connector	DCIN Input : 12V
Environment	Ventilation Dust & Water Proof Operating Temperature Storage Temperature Humidity	Fanless Aluminum front bezel, Metal housing -20°C ~ 60°C -30°C 80°C 5% ~ 95% RH non-condensing
Dimensions (WxDxH)		379 x 489 x 60 mm, suggested cut out is 424 x 365 mm
Weight		10 kg
Mounting		Panel Mount bracket
OS Supported		Win7, Win 8, Win10 IOT, Linux



PMPPC-1906R-J1900 Drawing

